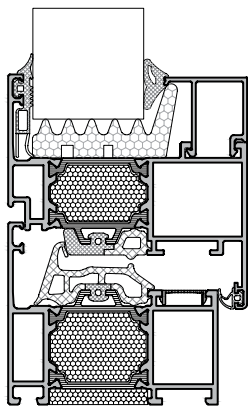


OPENING WINDOW AND DOOR
SYSTEM WITH THERMAL BREAK

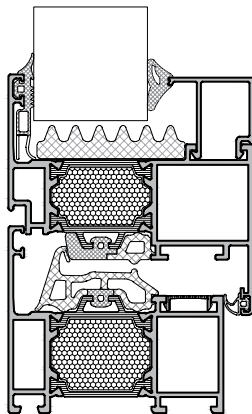
ETEM

E68 IS A HIGH END SOLUTION FOR DOORS AND WINDOWS FOR MEDIUM AND LARGE OPENINGS

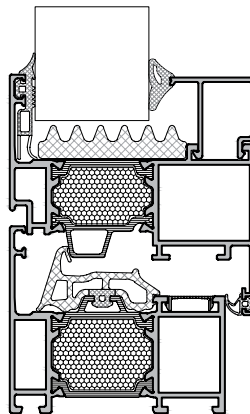
HIGH+



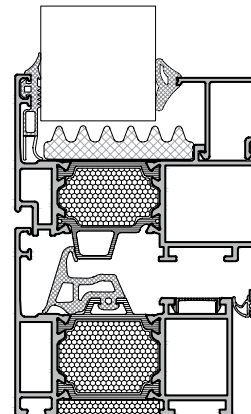
HIGH



STANDARD+



STANDARD



FEATURES

Uf from 1.9 to 1.6 W/m²K

Two types of sashes

Additional insulators in the thermal break chambers

3 types of central gaskets

32 mm polyamides

E68

OPENING WINDOW AND DOOR
SYSTEM WITH THERMAL BREAK

TPOLOGIES

STANDARD – $U_f=1.9 \text{ W/m}^2\text{K}$

STANDARD+ – $U_f=1.8 \text{ W/m}^2\text{K}$

HIGH – $U_f=1.7 \text{ W/m}^2\text{K}$

HIGH+ – $U_f=1.6 \text{ W/m}^2\text{K}$

EFFICIENCY

VARIETY OF PROFILES AND GASKET
COMBINATIONS

CRIMPING JOINTS ONLY

48 mm MAX GLAZING THICKNESS

DETAILS

Excellent thermal insulation

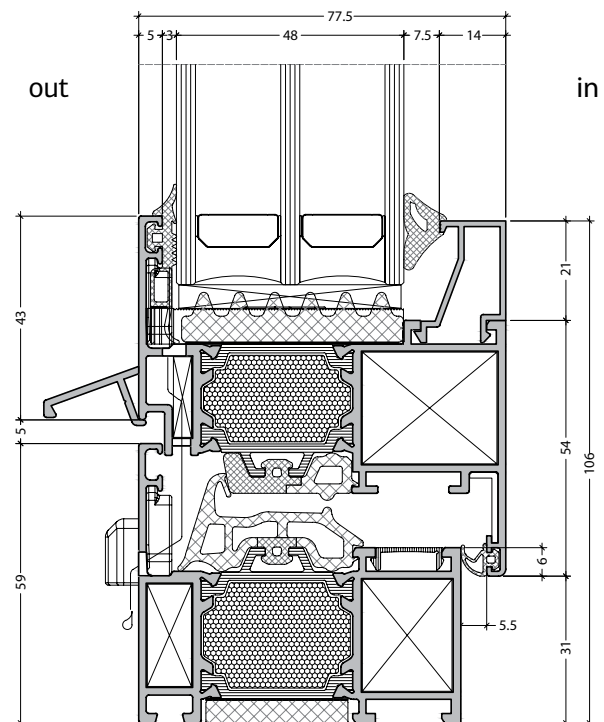
Elegant straight design – 68 mm system width

32 mm polyamides

Additional insulator in the thermal break chamber

Variety of central gaskets

Additional insulator under the glass



etem.com