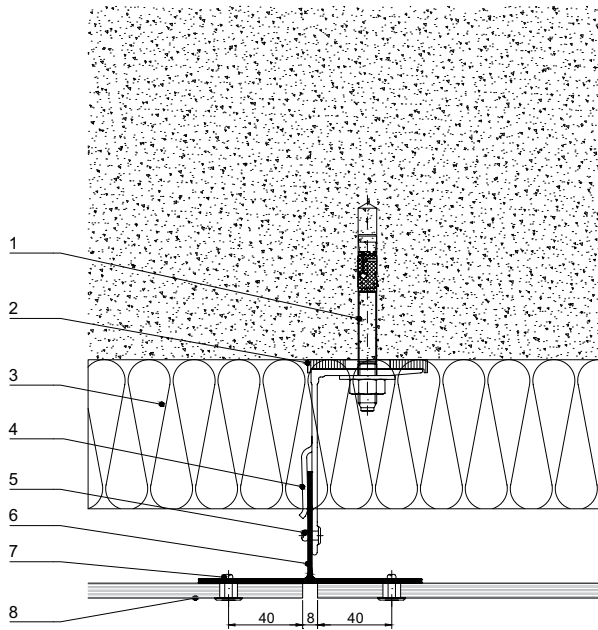




VARIO FIXINGS
VENTILATED FAÇADE SYSTEM

ETEM

VENTILATED FAÇADE SYSTEM DESIGNED FOR THE INSTALLATION OF FLAT FAÇADE MATERIALS WITH VISIBLE FASTENING ELEMENTS



MAIN ADVANTAGES

Fast, easy and secure installation

High resistance to external environment conditions

Simplified constructional solution

Big possibilities for façade design

Possibility for using cladding materials with different thickness

Visible fastening elements – Rivets / Screws

VARIO FIXINGS

VENTILATED FAÇADE SYSTEM

DESIGN

DESIGNED ON THE PRINCIPLE OF NATURAL VENTILATION, ACHIEVED THROUGH THE CREATION OF A 4-8 CM GAP BETWEEN THE FAÇADE MATERIAL AND THE THERMAL INSULATION.

HIGH QUALITY PRODUCT

DEVELOPED TO ENSURE THE SAFE AND EFFICIENT INSTALLATION OF CLADDING MATERIALS TO THE BUILDING SUBSTRATE.

SECURITY

THE SYSTEM ALLOWS THE MOVEMENT OF THE FAÇADE MATERIAL IN VARIOUS THERMAL EXPANSIONS, USING WIDE VARIETY OF PROFILES AND FIXING BRACKETS

1. anchor
2. thermo pad
3. thermal insulation
4. fixing bracket 100/90 mm
5. rivet 4.8x12 mm
6. main supporting profile
7. rivet
8. façade material
9. plug

DETAILS

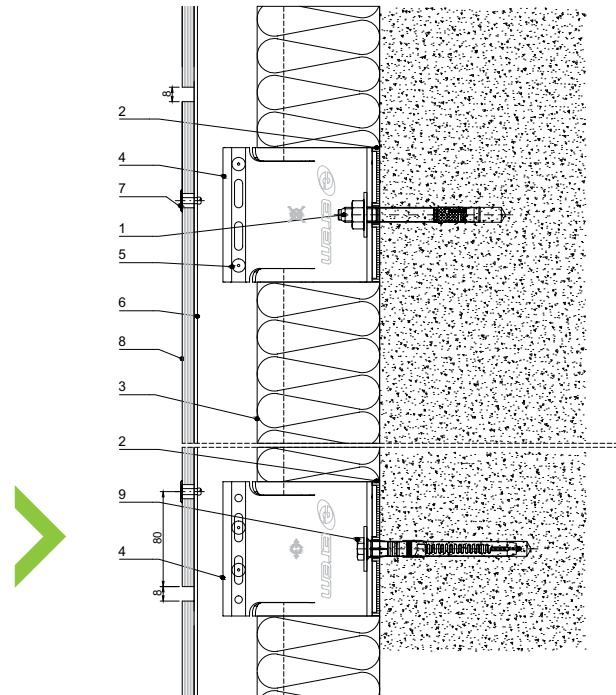
High strength of the mechanical bond

Excellent performance in high wind pressure

Possibility to paint the visible fastening elements in a wide range of colours

High energy efficiency

Natural ventilation



etem.com